

This series of GEM III is **designed specifically for general purpose AC applications in power supplies, UPS, and power conversion equipment.** Application Data is provided starting on page 16 that gives the Equivalent Series Resistance (ESR) for each unit. This allows the user to calculate the losses for each design / application and to ensure that they are kept within the permissible limits. **Any questions** regarding the suitability of a capacitor for a particular application may be referred to Regal-Beloit Engineers by **contacting your Regal-Beloit sales representative.**

SPECIFICATIONS:

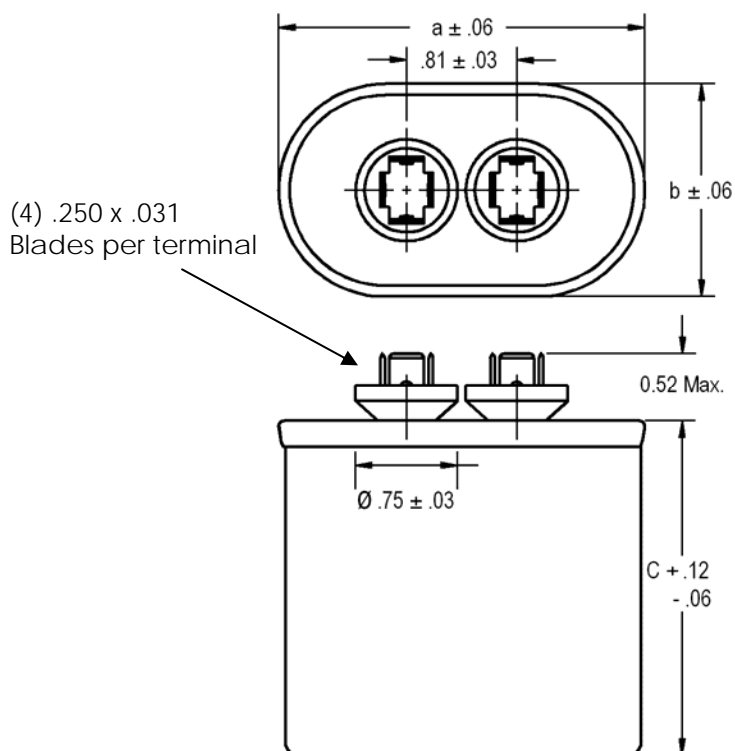
Available Capacitance Range:	1.5 to 45 μ F
Capacitance Tolerance:	\pm 6%
Capacitance Variation with Temperature:	See Chart E-3 on page 20.
Rated Voltage:	See Rating Tables. Rating is the 60Hz RMS voltage for a sinusoidal waveform. For other waveforms refer to the Application Note on page 16.
Leakage Current:	30 μ A maximum
Frequency:	50/60 Hz. For higher frequencies refer to the Application Note on page 17.
Operating Temperature:	-40°C to +70°C
Storage Temperature:	-40°C to +90°C
Operating Life:	60,000 hours with 94% survival (In accordance with the EIA-456 Industry Standard)
Dissipation Factor:	0.1% maximum
Case Material/Finish:	Unpainted Aluminum Case, Tin Plated Steel Cover. Contact Regal-Beloit if material/finish to meet UL outdoor standards is required.
Terminations:	'Combo' terminal: 0.250" x 0.031" quick connect blades
Dielectric Fluid:	Dielektrol VI
Internal Protection:	UL recognized Pressure Sensitive Interrupter. See Ratings Table for Regal-Beloit's UL Code Number listed under Regal-Beloit's UL File E322597. For UL submittals with these capacitors, use the RBC 'Pxxx' number not the Catalog Number. The corresponding generic UL designation that includes the Available Faults Current (AFC) rating is given below. All these capacitors are capable of interrupting available fault currents of up to 10,000 amperes.

Case Style	RBC Code	Generic UL Code
A	P961	A10000AFC
B	P962	B10000AFC
C	P963	C10000AFC
D	P964	D10000AFC



Voltage (VAC)	Capacitance (μF)	Catalog Number	Case Style	Base Size (in.)	Can Type	Height C (in.)	UL Code
600	1.5	97F8240	A	1.25	Oval	2.12	P961
	2.0	97F8241	A	1.25	Oval	2.12	P961
	2.5	97F8242	A	1.25	Oval	2.88	P961
	3.0	97F8243	A	1.25	Oval	2.88	P961
	4.0	97F8244	A	1.25	Oval	2.88	P961
	5.0	97F8245	A	1.25	Oval	3.88	P961
	6.0	97F8246	A	1.25	Oval	3.88	P961
	7.0	97F8247	A	1.25	Oval	4.75	P961
	8.0	97F8248	A	1.25	Oval	4.75	P961
	10.0	97F8249	B	1.50	Oval	3.88	P962
	12.0	97F8250	B	1.50	Oval	3.88	P962
	15.0	97F8251	B	1.50	Oval	3.88	P962
	18.0	97F8252	B	1.50	Oval	4.75	P962
	20.0	97F8253	B	1.50	Oval	4.75	P962
	25.0	97F8254	C	1.75	Oval	4.75	P963
	30.0	97F8255	D	2.00	Oval	3.88	P964
	35.0	97F8256	D	2.00	Oval	4.75	P964
	40.0	97F8257	D	2.00	Oval	4.75	P964
45.0	97F8258	D	2.00	Oval	4.75	P964	

Case Style A, B, C, and D



Case Style	a	b
A	2.16	1.31
B	2.69	1.56
C	2.91	1.91
D	3.66	1.97

*It is Regal-Beloit's goal to serve you with the most cost effective and highest quality capacitor designs. Standardization to the catalog type shown is a major program at Regal-Beloit. However, Regal-Beloit remains sensitive to your needs and requirements, and will continue to offer the above ratings (and more) in case configurations to meet your application(s).

